



Redx 2505 PU Reference 240V guide – – NO GRID

- NOTE the "230V AC IN" port has a plug which must be inserted into the "230V AC IN" port when no grid power is supplied to the unit. The plug must be attached to the frame of the unit.

- Attach the "230V AC IN" cap to the chassis:

- ① Remove one black chassis screw near the 230V AC IN port.
- ② Place the cord loop around the screw.
- ③ Re-insert screw.

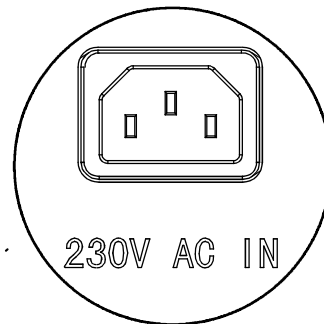
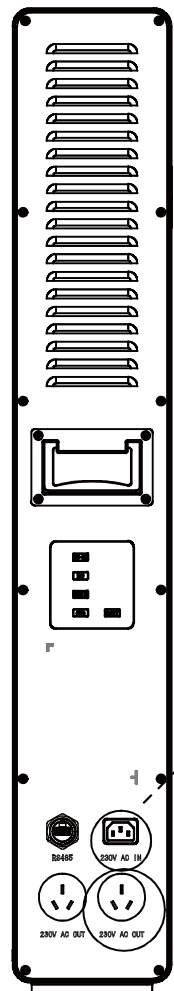
- External RCD (Residual Current Protection) Extension Lead for the UPS loads is required for maximum safety.

- For more information, please scan QR code or go to:
www.redxenergy.com.au

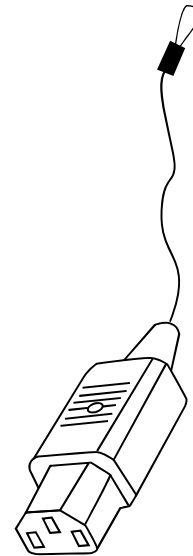


The "230V AC IN" port has a plug which must be inserted into the
WARNING "230V AC IN" port when no grid power is supplied to the unit!

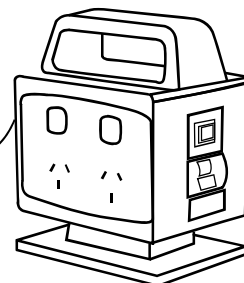
RX-2505 PU



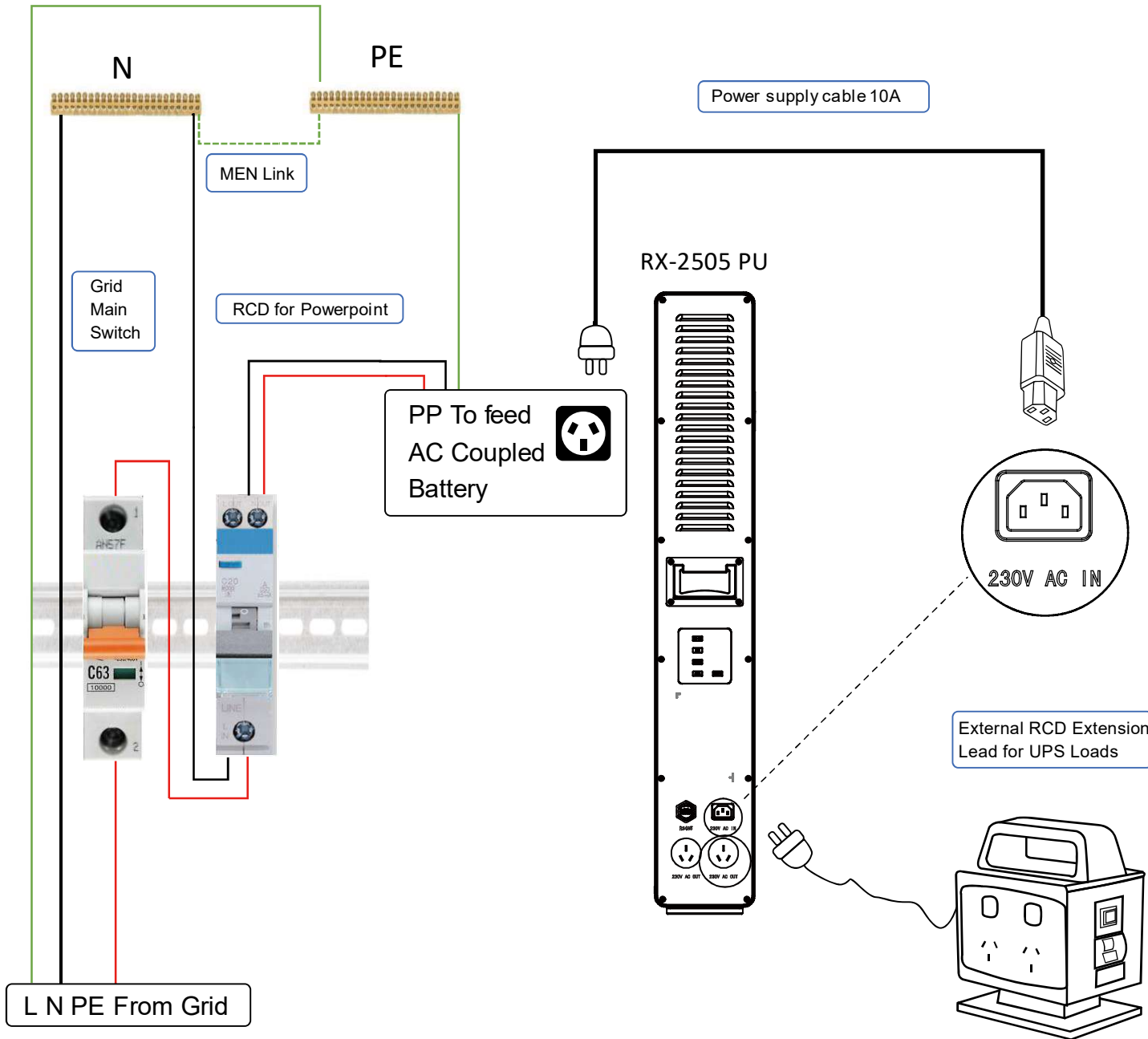
230V AC IN



230V AC IN plug



External RCD Extension
Lead for UPS Loads



Redx 2505 PU Reference 240V guide -- ON GRID

- NOTE the "230V AC IN" port has a plug which must be inserted into the "230V AC IN" port when no grid power is supplied to the unit. The plug must be attached to the frame of the unit.
- Use the supplied power cable only. If a longer cable is required, consult with a professional electrician.
- External RCD (Residual Current Protection) Extension Lead for the UPS loads is required for maximum safety.
- For more information, please scan QR code or go to: www.redxenergy.com.au

