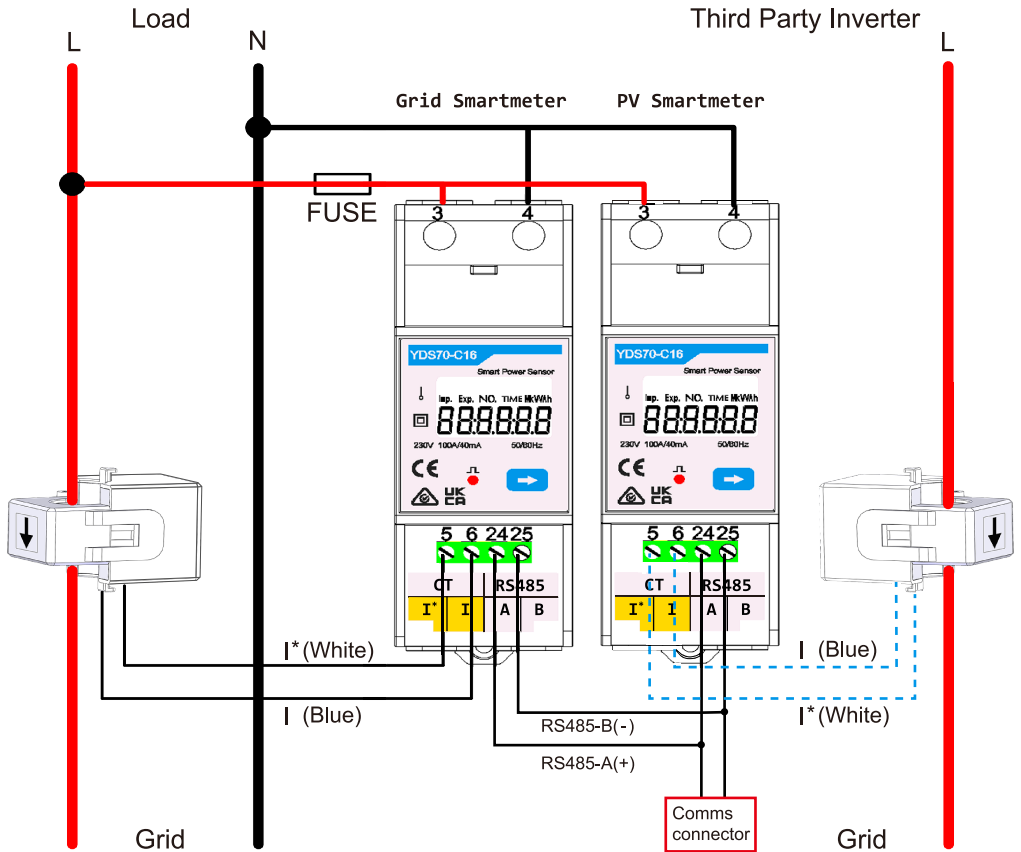


SMARTMETER Connecting Diagram

1. Connect the L,N lines to the 3, 4 terminals of the smartmeter respectively.
2. Connect the Current Transformer (CT) cables I*(white) and I (blue) to terminals 5, 6 of the smartmeter respectively.
3. Connect the communication connector's cables RS485A(+) and RS485B(-) to the respective terminals on the smartmeter.



- NOTE**
- ① The maximum torque for the terminal screws 3 and 4 is 1.7 N.m, and the recommended torque is (1.0 ± 0.1) N.m; The maximum torque of terminals 5, 6, 24 and 25 is 0.4 N.m, and the recommended torque is (0.20 ± 0.05) N.m.
 - ② 2A is the recommended for FUSE / breaker rating for the smartmeter 240V supply.